

FISHING GEAR

CLASSIFICATION: (Nomura, 1975)

A	NETTING	GILL NET		SURFACE				
				MID WATER				
				BOTTOM				
				ENCIRCLE				
				SWEEPING				
		ENTANGLE NET		SINGLE E.N.				
				TRAMMEL NET				
		TOWING NET		BEACH SEINE				
				BOAT DRAG NET		UPPER LAYER D.N		
						DENISH SEINE		
						TRAWL NET	BOTTOM	BEAM
				OTTER				
				MID WATER	TWO-BOAT			
					PUSH NET			
		LIFT NET		FLOATING		STICK HELD DIP NET		
						ONE BOAT LIFT NET		
						TWO-BOAT LIFT NET		
				BOATS		FOUR-ANGLE DIP NET		
						THREE-BOAT LIFT NET		
						FOUR-BOAT LIFT NET		
						EIGHT-BOAT LIFT NET		
						SURROUNDING NET		S.N. WITH POCKET
		S.N. WITHOUT POCKET		HAVING PURSE LINE:				
<ul style="list-style-type: none"> ○ O.B.T. PURSE SEINE ○ T.B.T. PURSE SEINE 								
NOT HAVING PURSE LINE								

		COVERING NET	CAST NET
			LANTERN NET
		TRAP NET	LARGE SCALE: <ul style="list-style-type: none"> ○ L. St. Net of Triangle Shape ○ –id- of Oblong or Octagonal Shape ○ Set Net with Trap Net ○ Set Net with One-sided Trap net ○ – id – with two traps
			MEDIUM STATIONARY: <ul style="list-style-type: none"> ○ Sardine St. Net ○ Herring St. Net ○ Salmon St. net
			SMALL SCALE STATIONARY <ul style="list-style-type: none"> ○ Pound net
			GUIDING BARRIER
			PORTABLE TRAP AND STOW NET
B	HOOK AND LINE	ANGLING GEAR <ul style="list-style-type: none"> ○ Pole and Line ○ Hand Line ○ Trolling line 	
		LONG LINES <ul style="list-style-type: none"> ○ Drift line / Floating Long Line ○ Bottom Long Line ○ Vertical Long Line 	
C	MICELLANEOUS	<ul style="list-style-type: none"> ○ Harpoons and spears ○ Curved hooks ○ Tongs, elips and twisters ○ Spatulas and rakes ○ Shelters, pots, baskets and traps ○ Fish fences ○ Fish weirs. 	

A. NETTING:

1. GILL NET:

1. SURFACE GILLNET:

- FIX
- DRIFT

2. MID WATER

- FIX
- DRIFT

3. BOTTOM

4. ENCIRCLED

5. SWEEPING

ENTANGLE NET:

1. .SINGLE E.N.
2. TRAMMEL NET

2. TOWING GEAR: (TRAWL NET)

1. BEACH SEINE

2. BOAT DRAG NET

- UPPER LAYER D.N.
- DENISH SEINE
- TRAWL NET

1. BOTTOM TRAWL NET

- BEAM TRAWL
- OTTER TRAWL
- TWO BOAT B.T.

2. MID WATER TRAWL NET

3. PUSH NET

3. LIFT NET

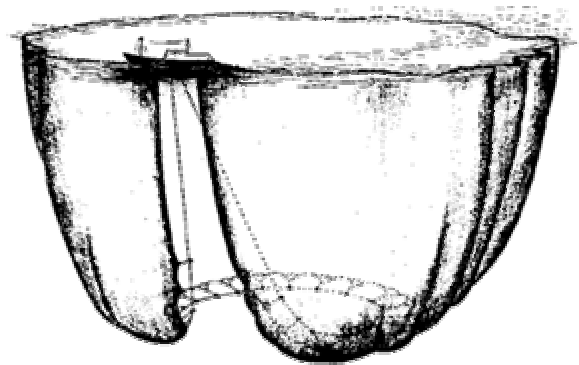
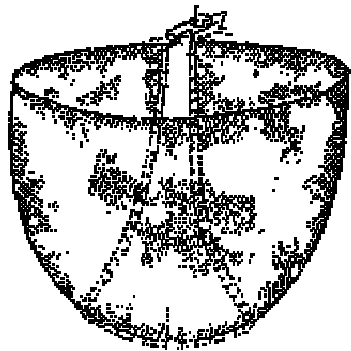
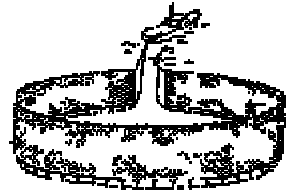
4. SURROUNDING NET:

5. COVERING NET:

6. TRAP NET:

B. HOOK AND LINE:

C. MISCELLANEOUS:



- Kategori Alat Tangkap Ikan

1. Pukat Tarik
2. Pukat Kantong
3. Pukat Cincin
4. Jaring Insang
5. Jaring Angkat
6. Pancing
7. Perangkap
8. Alat Pengumpul
9. Muro Ami
10. Lain-lain

-
- Kategori Alat Tangkap Ikan
 1. Pukat Tarik
 2. Pukat Kantong
 3. Pukat Cincin
 4. Jaring Insang
 5. Jaring Angkat
 6. Pancing
 7. Perangkap
 8. Alat Pengumpul
 9. Muro Ami
 10. Lain-lain

-
- Sumber Daya Ikan
 - Ikan Pelagis Besar
 - Ikan Pelagis Kecil
 - Ikan Demersal
 - Ikan Karang Konsumsi
 - Ikan Hias
 - Krustacea
 - Moluska
 - Binatang Air Lainnya

-
- Kapal dan Alat Tangkap Ikan
 - Kategori Kapal
 1. Perahu tanpa motor
 2. Motor tempel
 3. Kapal motor

- Pemasaran
 - Produsen
 - Konsumen
 - Distributor

-
- Kelembagaan
 - UPT Pelabuhan Perikanan
 - Perum Prasarana Perikanan

- Dinas Perikanan Dati I
 - Dinas Perikanan Dati II
 - Kantor Syahbandar
 - KUD/Koperasi
 - Swasta
-

- Prasarana
 - Fasilitas pokok
 - Fasilitas fungsional
 - Fasilitas penunjang
 - Lingkungan fisik
-

- Perencanaan dan Pengembangan
 - Dermaga
 - Hidro oseanografi
 - Peta
 - Geoteknik
 - Sungai
-

- Operasional
 - Operasional pelabuhan
 - Jasa Pelabuhan
 - Logistik
 - Sanitasi
 - Keamanan
-

- Pemeliharaan
 - Pemeliharaan rutin
 - Pemeliharaan berkala
 - Perbaikan
- Pariwisata
 - Akses Pelabuhan
 - Transportasi
 - Sejarah
 - Rekreasi
 - Hotel
 - Restoran
 - Pasar Ikan
 - Komunikasi

Kategori Alat Tangkap Ikan

1. Pukat Tarik

- Beam Trawl
- Otter Trawl
- Pair Trawl (Oparanzella) / Trawl Kapal Ganda

2. Pukat Kantong Lingkar: (Bag Seine Net)

- Payang
- Lampara
- Dogol, cantrang (Denish seine)
- Pukat Tepi (Beach seine)

3. Pukat Cincin (Purse seine)

- Pukat Langgar
- Gae
- Soma giop

4. Jaring Insang

- Jaring insang hanyut
- Jaring insang labuh
- Jaring insang lingkar
- Jaring tiga lapis

5. Jaring Angkat

- Bagan tetap
- Bagan perahu
- Jaring Cang
- Jaring dorong

6. Pancing

- Pancing tarik (troll)
- Pancing rawai

- Pancang Gandar (Pole and line)

7. Perangkap

- Bubu
- Sero
- Perangkap Pasang surut

8. Alat Pengumpul

- Garuk
- Tang, dll.

9. Muro Ami

10. Lain-lain

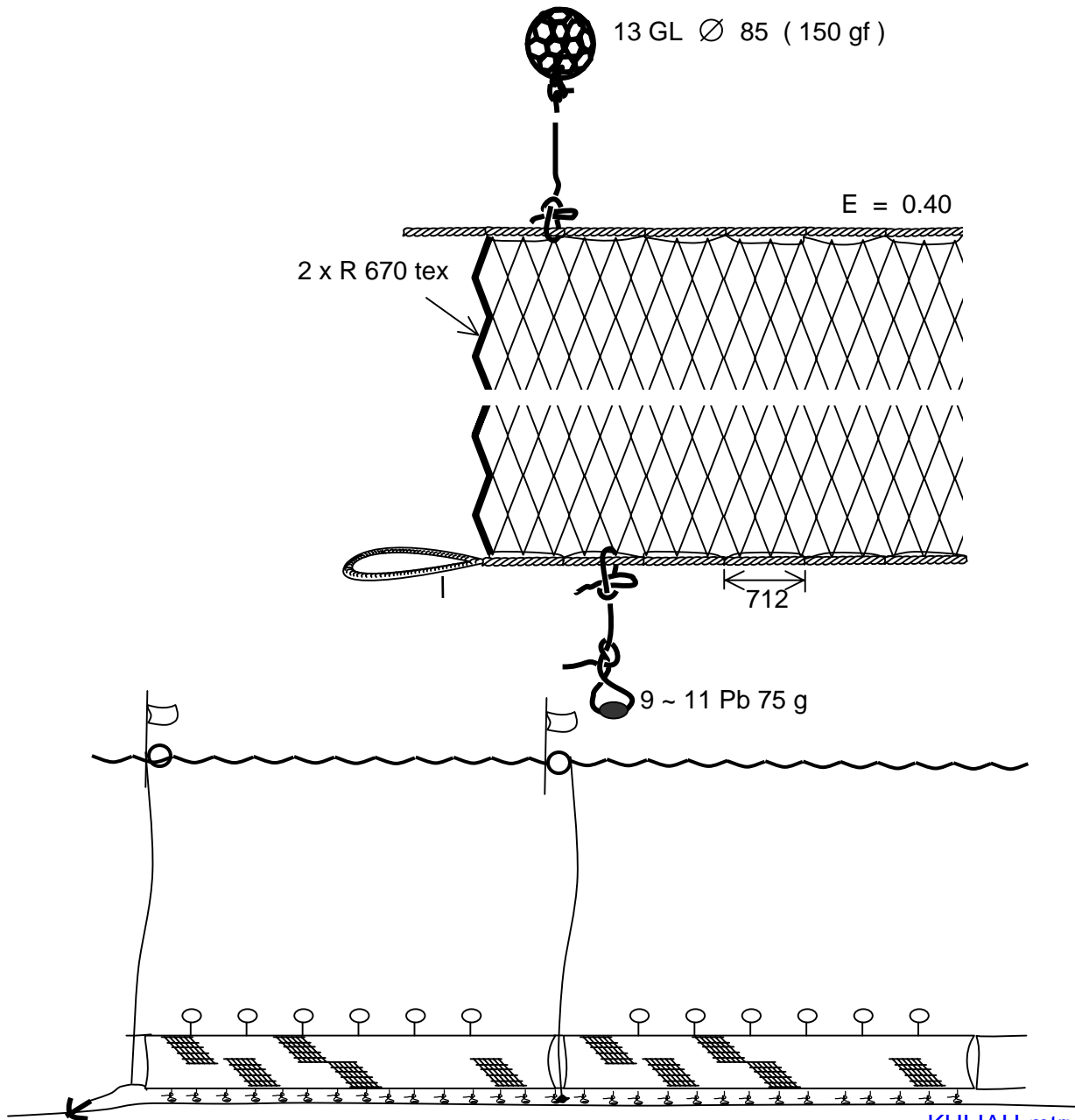
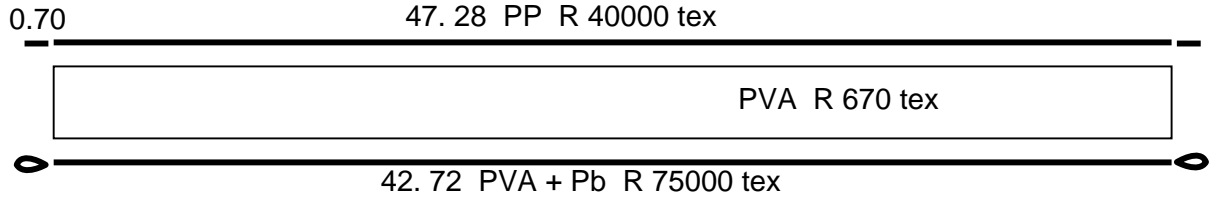
DAFTAR BACAAN

- A. KLUST, G. 1982 Bahan jaring untuk alat penangkapan ikan. Terjemahan oleh Team Penerjemah BPPI Semarang. (1987).
- B. FRIDMAN, A.L. dan P.J.G. CARROTHERS. 1986. Perhitungan dalam merancang alat penangkapan ikan. Terjemahan oleh Team Penerjemah BPPI. Semarang. (1988)
- C. KLUST, G. 1973. Netting Material for Fishing Gear. Fishing News (Books) Ltd. England.
- D. MURDIYANTO, B. 1975. Suatu pengenalan tentang Fishing Gear Material. (Diktat Kuliah). Fakultas Perikanan. IPB.
- E. KRISTJONSSON, H. 1959. Modern Fishing Gear of the World. Vol. I. Fishing News (Books) Ltd. England.
- F. ----- 1964. Modern Fishing Gear of the World Vol. II. Fishing News (Books) Ltd. England.
- G. ----- 1978. Catalogue of Small-scale Fishing Gear. Fishing News (Books) Ltd. England.

Contoh menggambar alat tangkap

BOTTOM SET GILL NET

Muarabaru, Jakarta



KULIAH-mtrx.ppt